



Ambient Light Rejecting Fixed Frame Screen

(3.9" width frame)

DARKSTAR®

User's Guide

Attention:

The DarkStar® is composed of high quality sensitive multi-layer projection material. Please follow the precautions below for proper care procedures and to prolong the life of your screen.

Note: Upon unrolling the DarkStar® material, it may exhibit faint vertical memory lines from being rolled up. These lines will fade out and disappear once the material is properly installed onto the framework.

Failure to use [these safeguards] will result in voiding your warranty.

1. Avoid using any organic cleaning agents or harsh abrasives, which will result in permanently damaging the screen material.
2. Use only a soft-feathered brush or microfiber cloth to spot clean and remove dust.
3. Please wear a pair of clean, powder-free glove in the process of installing and operating the screen to keep hand oil and dirt from being transferred to the viewing surface.
4. Be very careful when unrolling and handling the material. Lay the material flat only to avoid permanently creasing the material.
5. Do not rub the cloth with force when cleaning to avoid permanently damaging the surface.
6. Do not touch the screen surface with sharp objects or allow the screen surface to come in contact with anything other than the frame.
7. DarkStar® material damaged in handling, installation, or use is not covered under warranty.

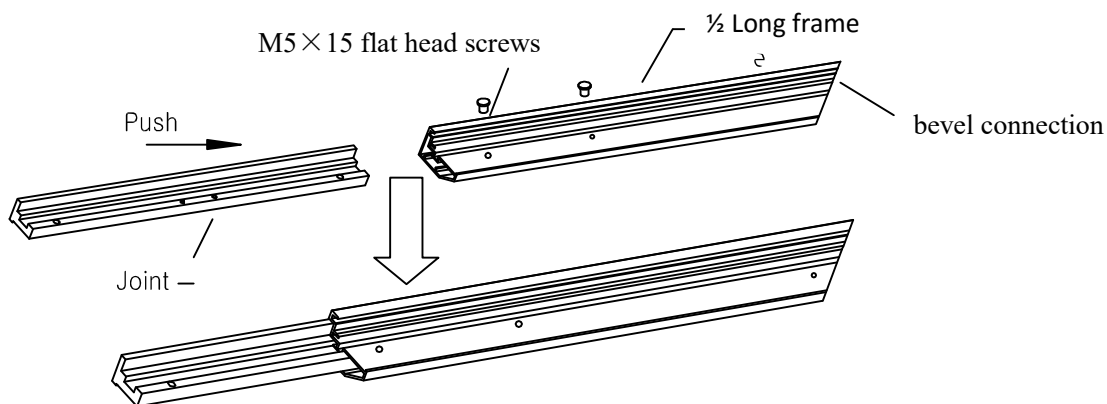
Hardware and Parts List

1. Frame Parts x 6 pcs (4 top/bottom frame pcs + 2 side frame pcs)
2. Screen Material x 1 pc
3. Center joints x 2 pcs
4. Elbow Joints x 4 pcs
5. Wall brackets x 4 pcs (2 pcs top wall brackets + 2 pcs bottom brackets)
6. M5x50 wood screws x 6 pcs
7. Hollow wall anchor x 6 pcs
8. M5x15 flat head screws x 16 pcs
9. Center Support Bar x 1 – 2 pcs (depending on model/size)
10. Support joiner x 2 – 4 pcs (depending on model/size)
11. Springs x 40 – 120 pcs (depending on model/size)
12. Pull hook x 2

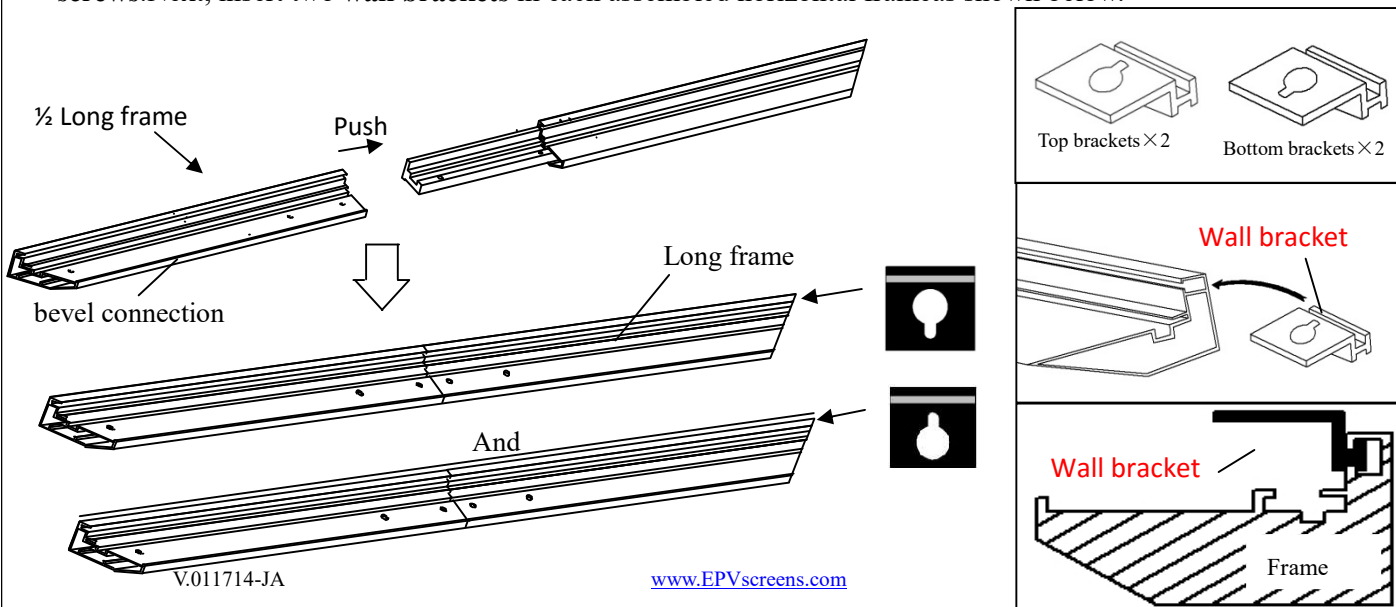
Note: Please make sure all parts are included in your package before proceeding to assemble your fixed frame screen.

FRAME ASSEMBLY

1. Insert the **center joint** connector into one-half of the **horizontal frame** piecehead and then fasten it with two **M5x15 flat head screws**.



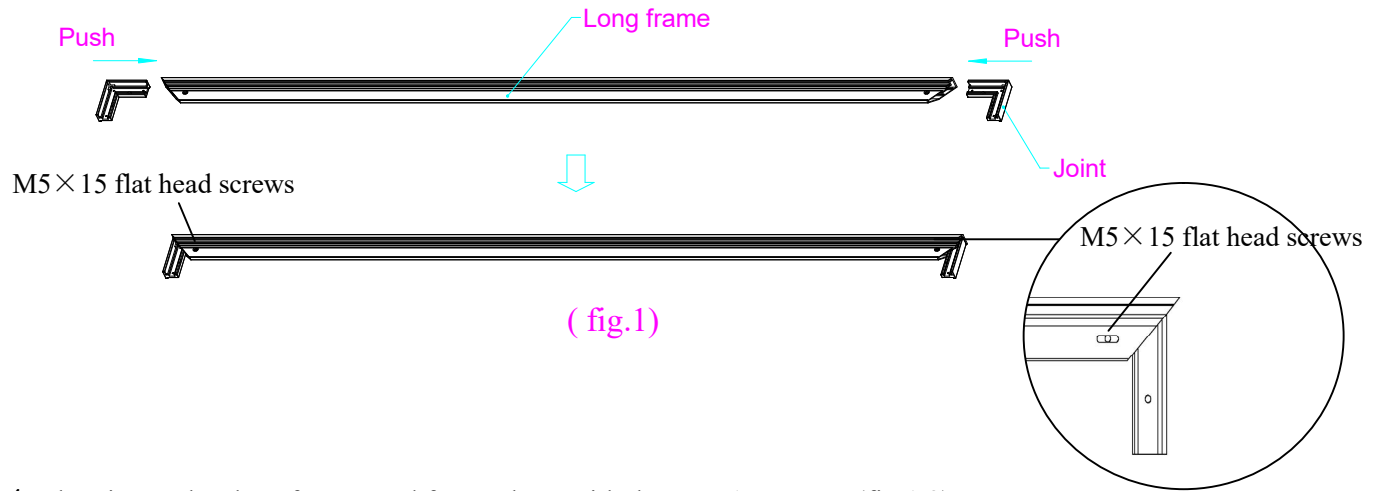
2. Insert the other one-half horizontal frame piece to the **center joint** connector and fasten it with two **M5x15 flat head screws**. Next, insert two **wall brackets** in each assembled horizontal frame as shown below.



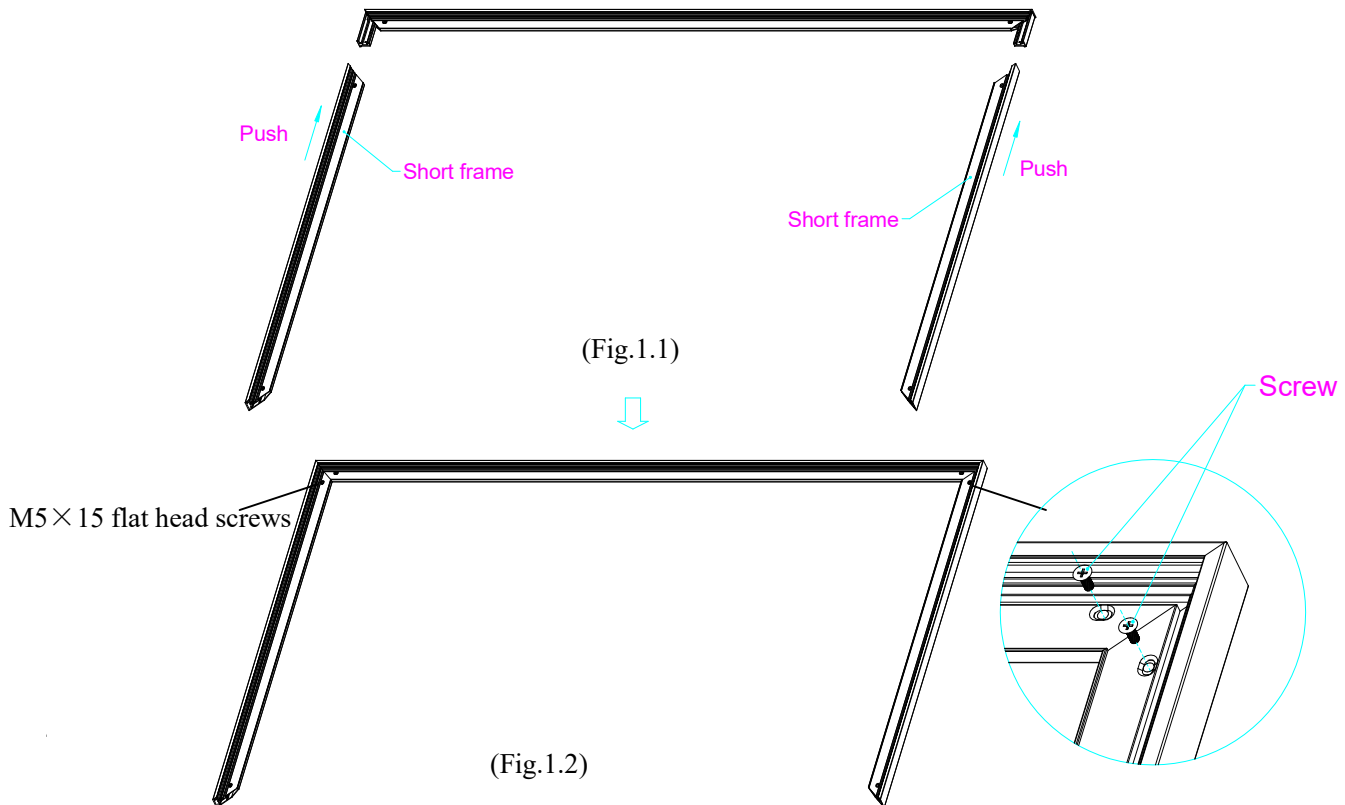
Note: a. 2 long frames should be assembled for a screen.

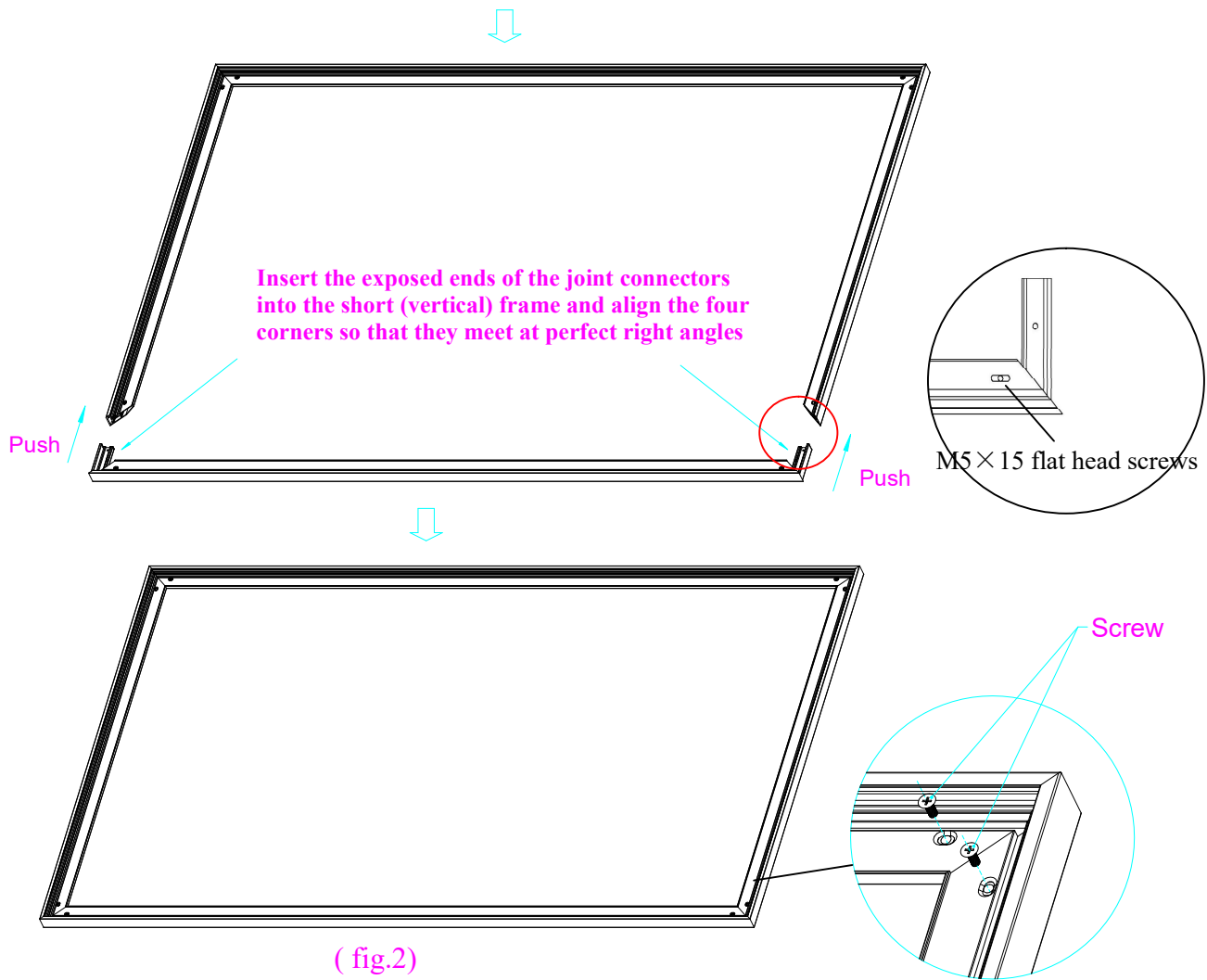
b. Do not tighten the screws completely until all frame pieces have been assembled correctly.

3. Insert both elbowjoint connectors into the long horizontal frame and fasten it with two M5x15 flat head screws (see Fig.1).



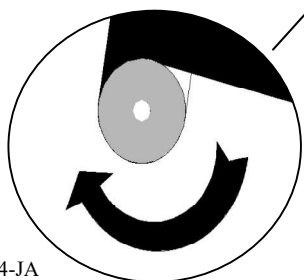
4. Then insert the short frames and fasten them with the M5x15 screws (fig.1.2).





Attaching the screen material to the frame

1. Lay the assembled frame face down on a clean flat surface.
2. Carefully unroll the screen material from the roller from one side of the frame to the other side as show below.

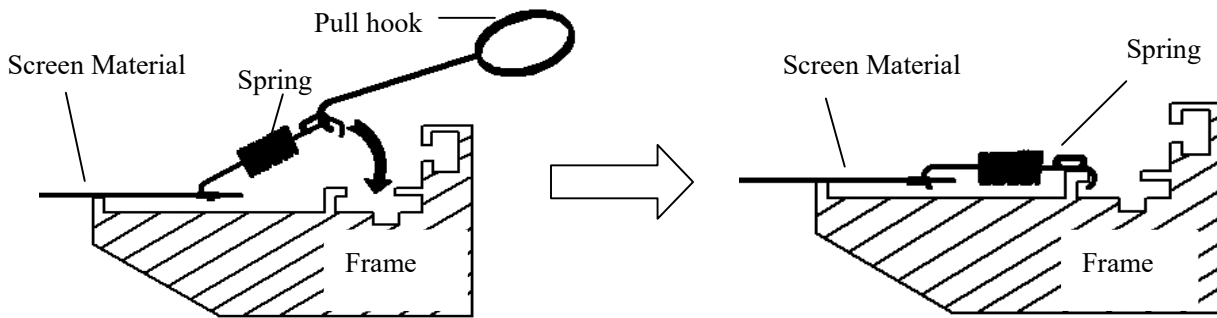


Screen Material Notes:

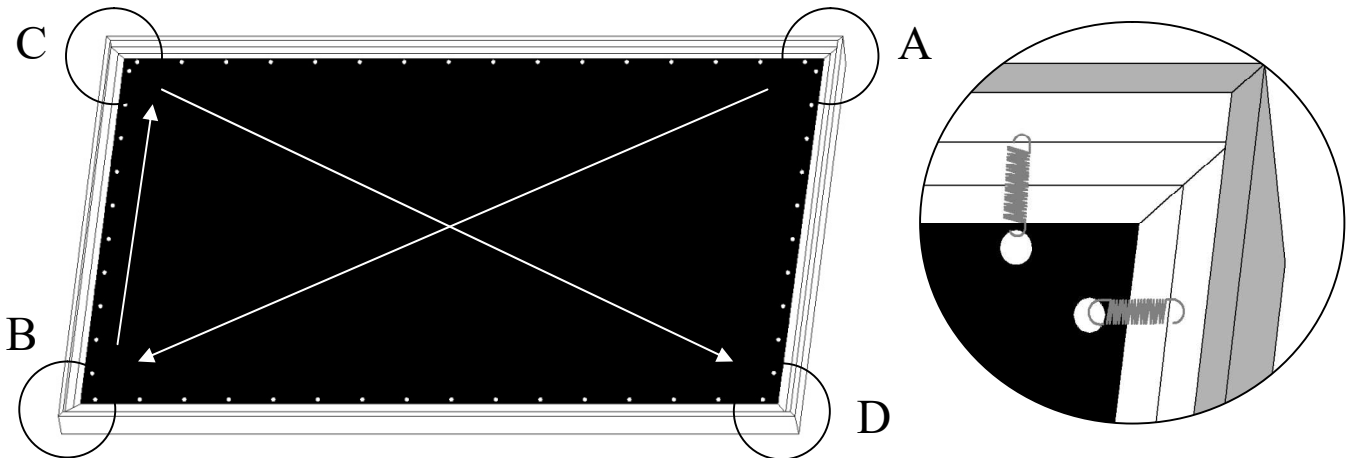
- ① Make note of the label to help distinguish the back and front side.
- ② Unroll the screen material face down
- ③ Keep the screen material as close as possible to the frame and do not allow it to scratch against any part of the frame.

Spring hook

Take one end of the spring and secure it to the inside groove of the frame and hook the other end of the spring to the hole located on the screen material's outer edge. Use the pull hook when necessary.



1. Attach the four corners of the screen material with the springs in the following order A→B→C→D.

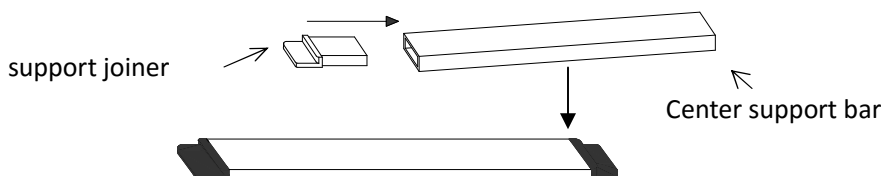


2. Continue attaching the remainder of the springs into all of the holes on the screen material to complete assembling your DarkStar fixed frame screen.

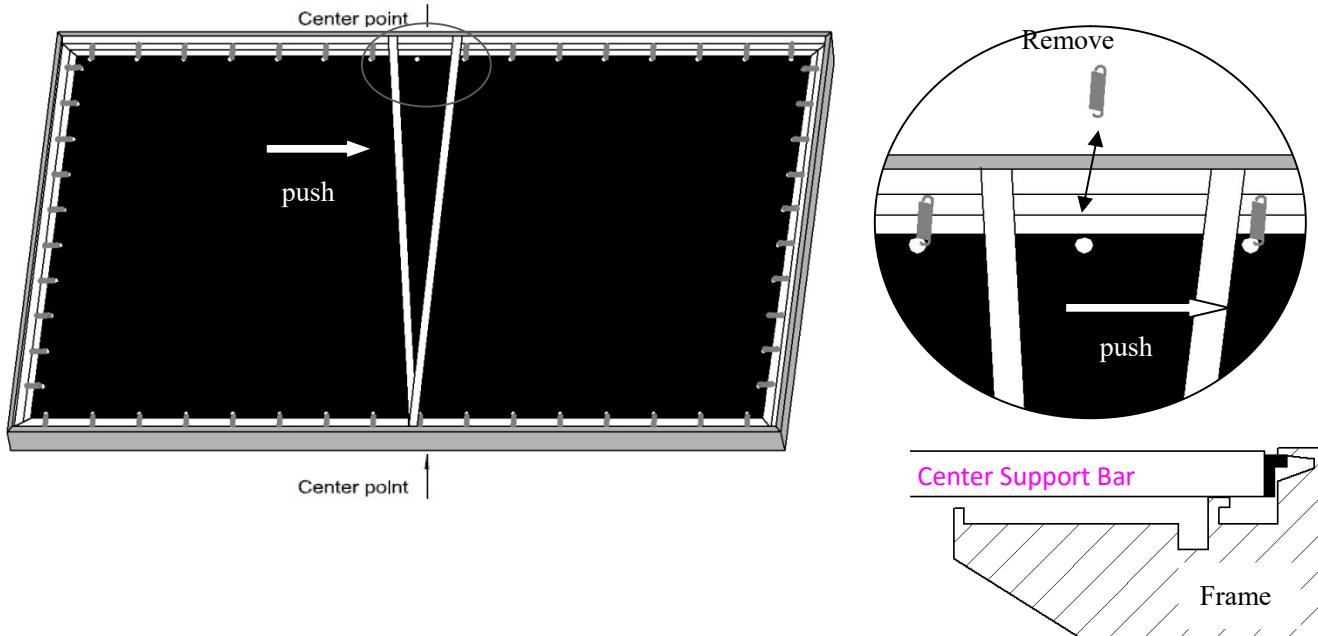


Center Support Bar

1. Insert the support joiner into each end of the center support bar to complete assembly.



2. Insert the **Center Support Bar** into the upper top groove on the back of the frame (**not the one where the spring inserts**) with the bottom end near the approximate center point of the frame and rotate it in at an angle so that both ends of the bar are in alignment with the groove.

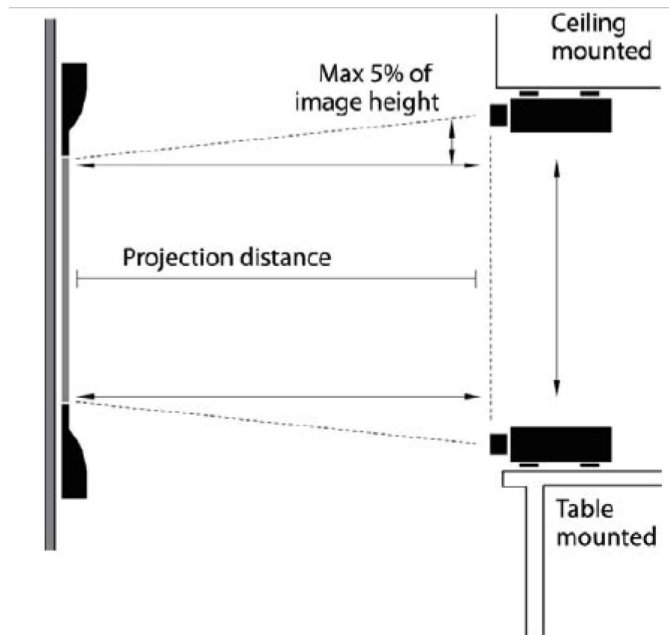


3. Slide the top end of the bar into the top center point of the frame to complete the center support bar installation. **This will provide added stability to your frame and added tension to the material.**

Notice to Installer:

Please use the following installation instructions to obtain superior optical performance from the Retro Reflective ALR (Ambient Light Rejecting) DarkStar® Screen.

Projector placement



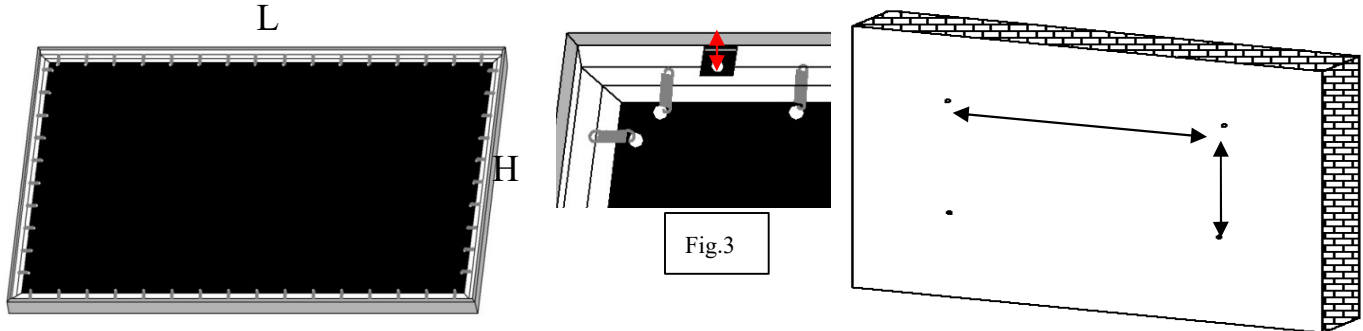
Images are not up to scale and are for illustrations purposes only.

Note: Do not install the projector at an angle that is greater than 5° off the vertical axis from the screen. The ambient light filtration layer in the material is designed to absorb off-axis light rather than reflect it.

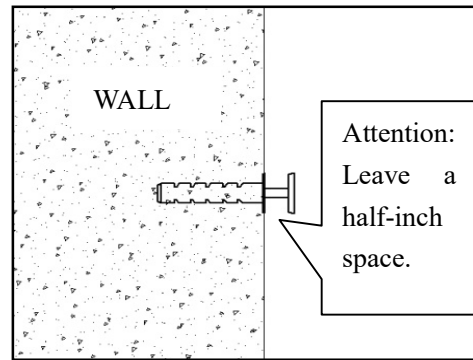
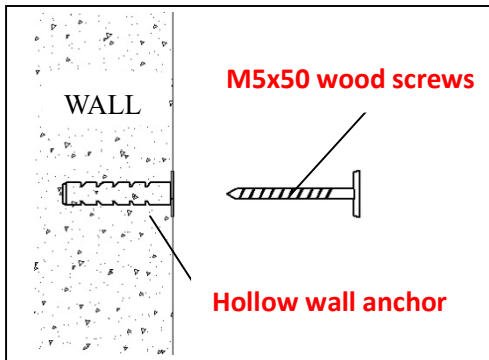
Installation

1. Measure the overall Length(L) and Height(H) of the frame to determine the space required.
2. Drill two holes for the top bracket holes that are within the overall length of the frame.
3. Measure the distance between the top bracket hole to the bottom bracket hole and drill two holes for the bottom bracket holes.

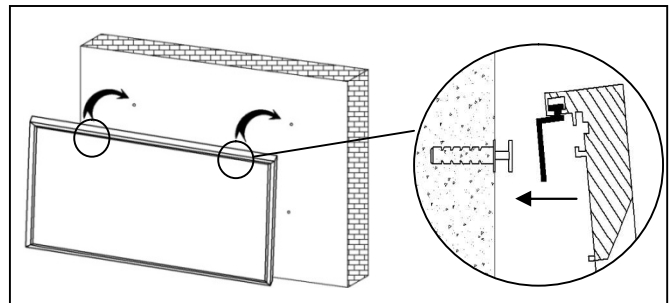
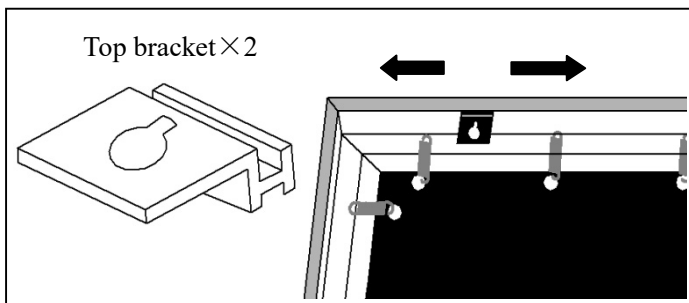
Note: Distance between top/bottom edge of frame and mounting bracket screw hole is 2.16" (55mm) Fig.3.



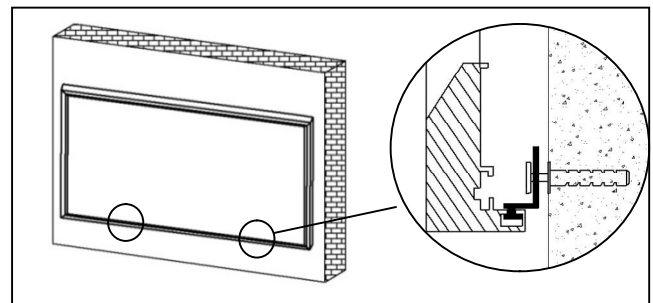
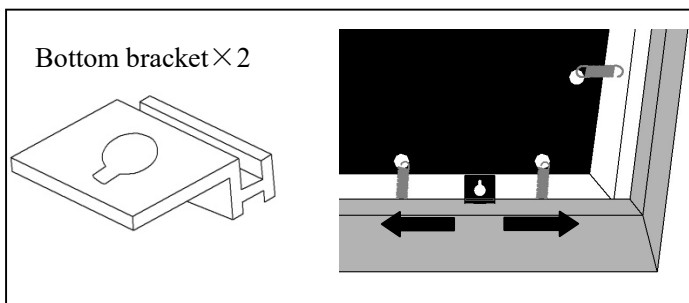
2. If not installing into a structural wood stud, drill a hole in your wall and insert a hollow wall anchor. Then screw in the **M5x50 wood screws** with a screwdriver.



3. Position the **top brackets** in the frame to align with the screws in the wall and the hang up the frame.



4. Position the **bottom brackets** in the frame to align with the screws in the wall and insert the bracket in the screw to complete installation.



CAUTION

Please follow these instructions carefully to ensure proper maintenance and safety of your DarkStar® Screen

1. When hanging the screen up, please make sure that no other objects such as power switches, outlets, furniture, ladders, windows, etc. occupy the space designated for your Fixed-Frame screen.
2. Regardless if the screen is hung on or installed into the wall, make sure that the proper mounting anchors are used and that the weight is supported appropriately by a strong and structurally sound surface just as any large and heavy picture frame should.
(Please consult a home improvement specialist for the best advice on installation)
3. Frame parts are made of high quality velour-surfaced aluminum and should be handled with care.
4. When not in use, cover over the screen with a furniture sheet to protect it from dirt, grime, paint or any other impurities.
5. When cleaning, use a damp soft cloth with warm water to remove any marks on the frame or screen surface.
6. Never attempt to use any solutions, chemicals or abrasive cleaners on the screen surface.
7. In order to avoid damaging the screen, avoid touching it directly with your fingers, tools or any other sharp or abrasive objects.
8. Spare Parts should be placed out of reach of small children in accordance with household safety guidelines.

For a local Elite Screens contact or Technical Support, please visit

www.EPVscreens.com