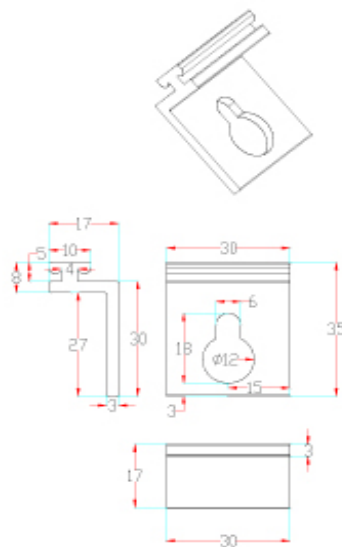
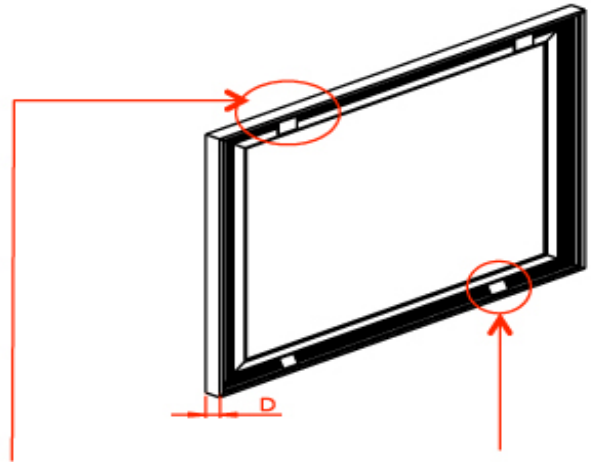
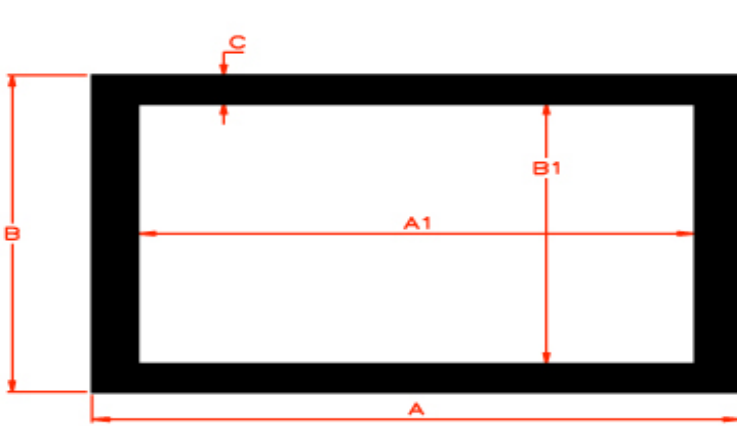


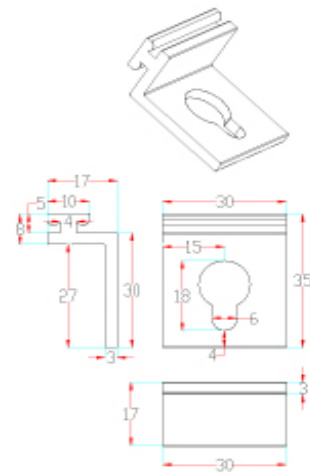
DarkStar® 9 Series Dimensions Table

Model Number	Nominal Diagonal	Overall Length (A)	View Width (A1)	Overall Height (B)	View Height (B1)	Frame Width (C)	Frame Height (D)
Unit: Inches							
DS110H-F	110"	103.1	95.2	61.4	53.5	3.9	1.7
DS123H-F	123"	115.0	107.1	68.1	60.2	3.9	1.7
DS140C-F	140"	136.4	128.5	61.4	53.5	3.9	1.7
DS157C-F	157"	152.4	144.6	68.1	60.2	3.9	1.7
Unit: mm							
DS110H-F	110"	2618	2418	1560	1360	100	43
DS123H-F	123"	2920	2720	1730	1530	100	43
DS140C-F	140"	3464	3264	1560	1360	100	43
DS157C-F	157"	3872	3672	1730	1530	100	43

The listed measurements are for general reference only. Please contact EPV Screens to verify product design and dimensions before attempting to integrate its products with any structural or furniture modification. Although a manufacturer may offer product advice, it may be taken or disregarded at the integrator's discretion. EPV Screens will not be held responsible or be otherwise liable for faulty installations.



unit:mm



unit:mm