



Peregrine Tension / 235 / RearPro Series:

Tab-tensioned Electric Motorized Projection Screen

User's Guide

Important Safety & Warning Precautions

Make sure to read this user's guide and follow all procedures below.

Caution: The Screen's Black Top Drop is already set to its maximum drop distance. There is NO extra top Black Drop in the roller. Please be aware of this. Any attempts to increase the top black drop will void your warranty with Elite Screens. Unapproved changes or modifications (except for cutting the power cord for hardwire installations) to this unit are prohibited and will void your warranty. For more information, please contact our Technical Support Department at (877) 511-1211 Ext. 604.

- Please retain this user's guide for future reference.
- To avoid damaging the unit do not use with any unauthorized accessories not recommended by the manufacturer.
- Handle the unit carefully during transportation to avoid any damages.
- To ensure safe and reliable operation, direct connection to a properly grounded power source is advised.
- The power outlet supplying power to the unit should be close to the unit and easily accessible.
- Do not install the unit on uneven or inclined surfaces.
- Do not place any heavy objects over the power cord.
- Position the power cord properly to avoid creating a trip obstacle.
- To avoid an electrical shock or fire due to a loose contact or short circuit, do not overload the power cord.
- The internal & external parts of this unit are not end user serviceable. Do not attempt to disassemble this unit by yourself. Only authorized technicians can open and make repairs to this unit.
- Make sure the power source that this unit is connected to has a continuous power flow.
- If there is need to use an extension cord, make sure the cord has an equal rating as the appliance to avoid overheating.
- Do not handle the power plug when your hands are wet or your feet are in contact with water.

Do not use this unit under the following circumstances:

- Disconnect the power cord under the conditions of heavy rain, wind thunder or lightning.
- Avoid direct sun light, rain shower and moisture.
- Keep away from fire sources and high temperature to prevent this device from overheating.
- Cut off the power supply first before transportation or maintenance.
- To avoid possible injury and/or an electric shock, do not attempt to use this screen if there is obvious damage or if there are any evident broken parts.

Installation Warning

The instructions provided in this user's guide are for reference only. The installer must insure that proper mounting hardware is used to provide adequate strength suitable for the installation. Elite Screens is not liable for any faulty installations. For limit adjustment instructions, please contact our Technical Support Department at (877) 511-1211 Ext. 604.

The Screen's Top Black Drop is already set to its maximum drop distance. There is NO extra top black drop in the roller. Please be aware of this as any modification attempts will void your warranty.

Individual modifications to this product are prohibited and will void the warranty with the manufacturer. Please contact Elite Screens Customer Service for any questions.

NOTE:

This equipment has been tested and found to comply with the limits for a Class B digital device, pursuant to Part 15 of the FCC Rules.

These limits are designed to provide reasonable protection against harmful interference in a residential installation. This equipment generates and can radiate radio frequency energy and, if not installed and used in accordance with the instructions, may cause harmful interference to radio communications. There is no guarantee that the interference will not occur on a particular installation. If this equipment causes harmful interference to radio or television reception, which can be determined by turning the equipment off and on, the user is encouraged to try to correct the interference by one or more of the following measures.

- ✓ **Reorient or relocate the receiving antenna of the device which may be causing the interference.**
- ✓ **Increase the separation between the screen and the device's receiver.**
- ✓ **Connect the equipment into a different power outlet other than the device.**

Pre-Installation

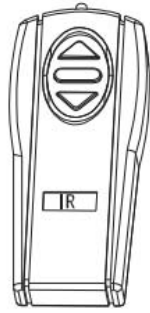
1. Carefully unpack the screen.
2. Always handle the screen in a leveled position on a clean surface.
3. In order to protect the screen from exposure to stains, keep the screen out of contact with foreign particles such as dust, sawdust, and/or liquids.

NOTE

Regardless of the mounting method, the screen should be securely supported so that vibrations or pulling on the viewing surface will not cause the casing to become loose or fall. The installer must insure all fasteners used are of adequate strength and suitable for the installation location.

Accessories for Peregrine Tension Series

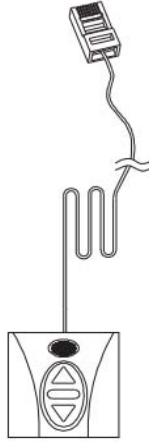
Please make sure all accessories listed below are included before proceeding.



A.
IR Remote



B.
RF Remote



C. 3-way wall switch



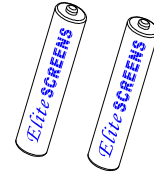
D. IR eye receiver



E.
5-12v trigger
Green - Red +



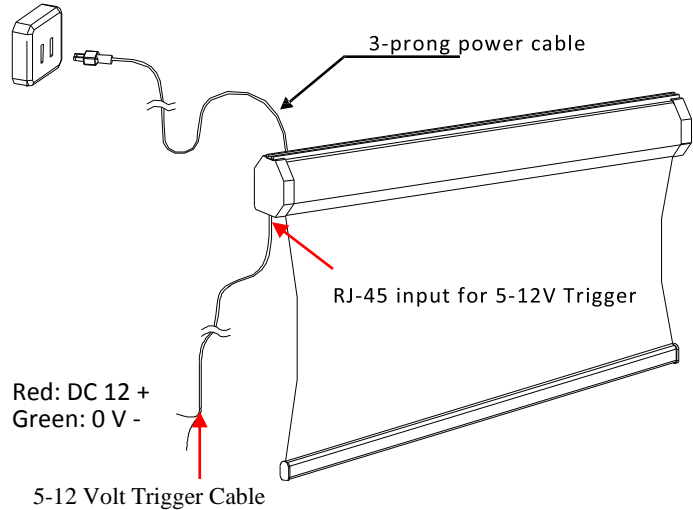
F. In-wall RJ45 module



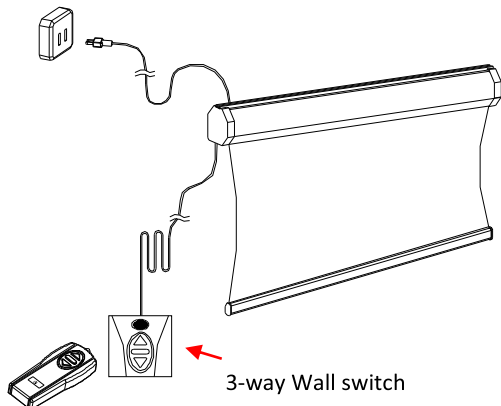
G.
AAA batteries

Control System for Peregrine Tension Series

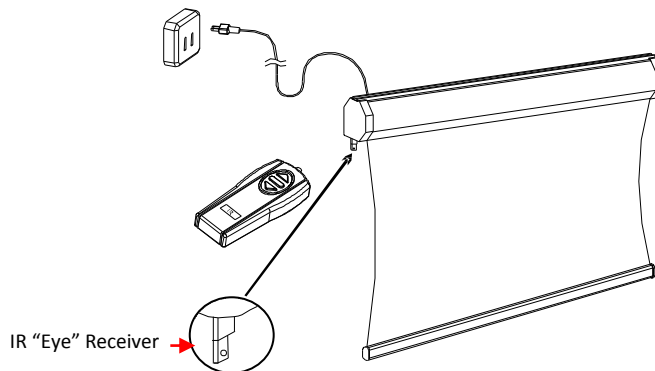
1. 5-12V Trigger: The built-in 5-12V trigger plugs directly into the screen's RJ-45 input and allows your screen to synchronize its drop & rise with the projector's power cycle. The screen deploys when the projector powers on and will retract when the projector powers off. The 5-12 volt adaptor connects to your projector's trigger output via a separate cable that may or may not be provided by the manufacturer of the projector. The trigger feature will not work without an output cable from the projector, but it can be tested by connecting the Red (+) and Green (-) cable to a 9-volt battery.



2. 3-Way Wall Switch: The 3-way wall switch is a wall mount control box with an up/stop/down button and plugs directly into the screen's RJ-45 input.

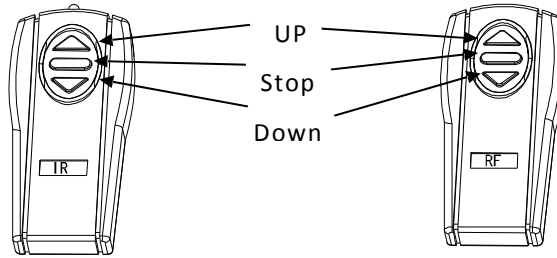


3. IR "Eye" Receiver: The IR "Eye" Receiver plugs directly into the screen's RJ-45 input to present a low profile line-of-sight control option for your IR remote control even in a recessed ceiling installation. The IR "Eye" Receiver is compatible with 3rd party IR controllers.

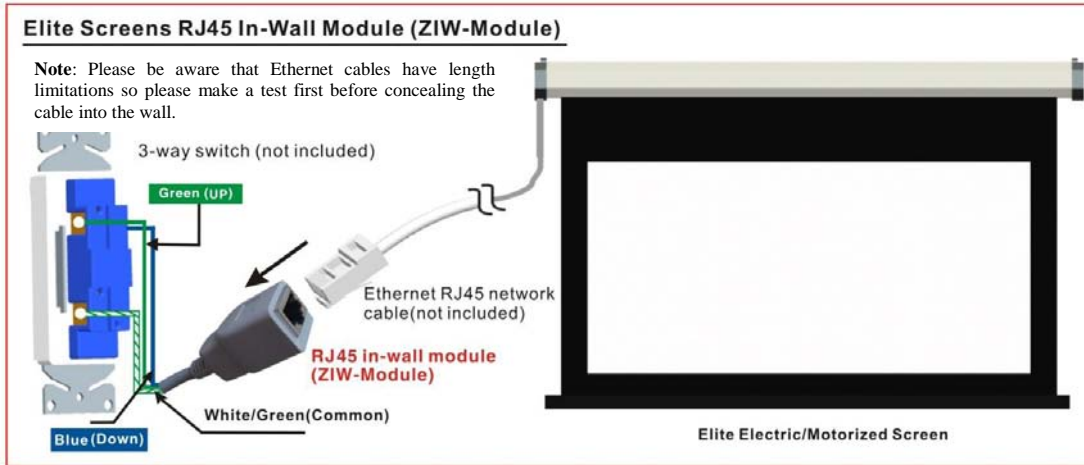


4. IR Remote Control: The Infrared functions by direct line of sight contact with a beam range of 30 feet.

5. RF Remote Control: The radio waves eliminate the need for a direct line of sight with a range of 100 feet.



6. In-wall RJ45 Module: The RJ45 module connects to a local wall switch for Up/Down control of your electric screen. Please follow the diagram below for instructions on how to connect this accessory.

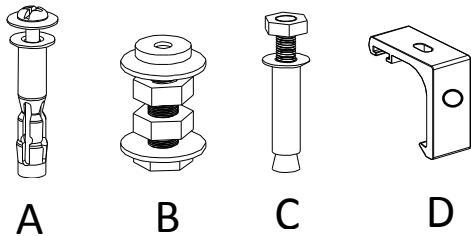


Steps to attach Elite Screens Motorized Screen to your local wall switch

1. Attach the *in-wall module* (Part #: ZIW-Module) to your local wall switch as shown in diagram above.
2. Attach an RJ45 Ethernet cable (not included) to the ZIW-Module and the other end to the RJ45 input on your Elite electric screen
3. After testing the connection, place the in-wall switch module in/on the wall and wire the Ethernet cable into the wall and complete the setup.

Hardware Parts List for Peregrine Tension Series

Please make sure all items listed below are included before proceeding with the installation.

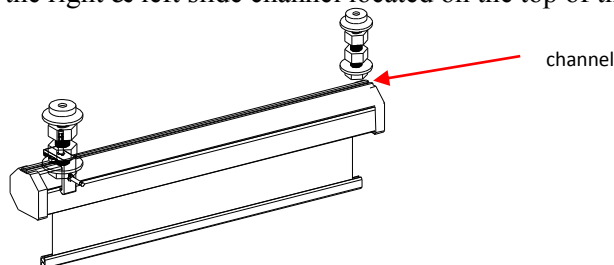


Hardware Parts List	QTY
A. Screw & Dry Wall Anchor	2 or 3
B. Bolt	2 or 3
C. Masonry Screw & Anchor	2 or 3
D. Extruded Hanging Bracket	2 or 3

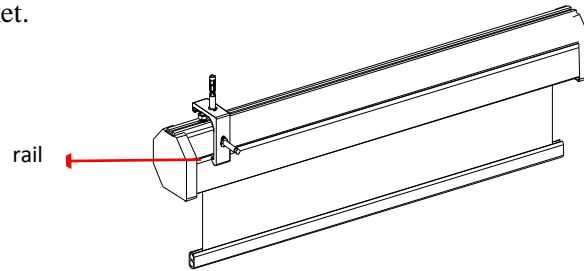
120" & above models x 3

Installation Instructions

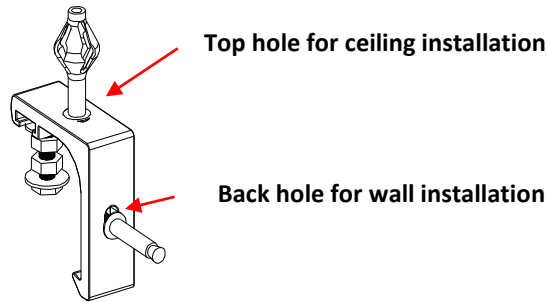
1. Insert each **Bolt (B)** through the right & left slide channel located on the top of the screen's case.



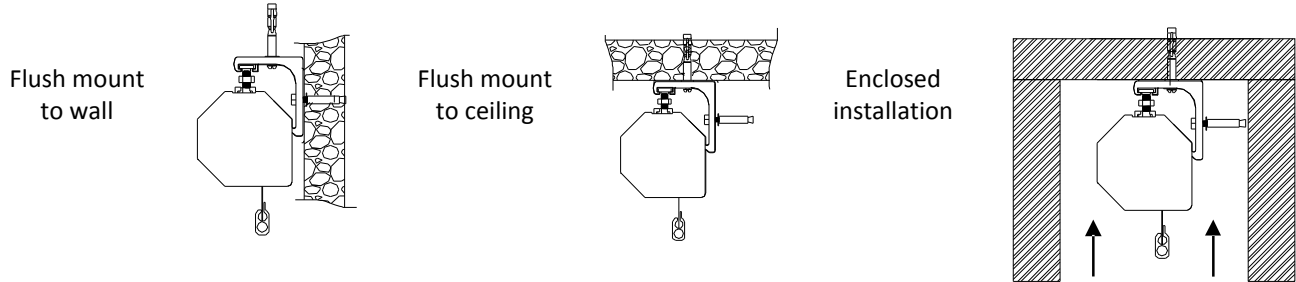
- Slide the **Extruded Hanging Bracket (D)** through the rail located below the slide channel until it meets with the top of the **Bolt (B)** and slightly secure the lug-nuts located on the top & bottom of the bolt to attach the bracket.



- Mark the installation location to drill your hole. Insert the proper screw and secure the bolts to the bracket.



- Example of the Peregrine Tension installed to a wall, ceiling, and enclosed soffit.

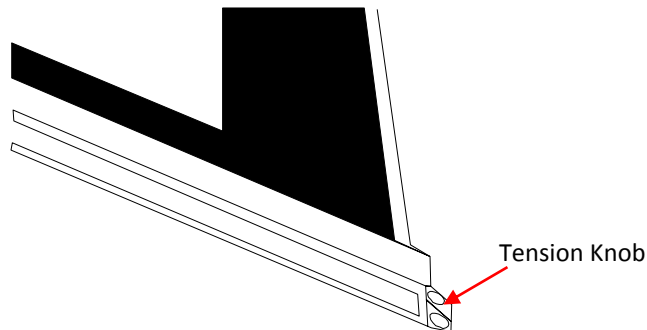


*Allow 2" of spacing between the front and back of the screen casing.

How to adjust the Tension String

This adjustment is not required. The screen's tension has been set to achieve its best performance. Please contact Elite Screens for assistance to avoid damaging the screen and voiding your warranty.

- If the tension string is loose, pull and turn the tension knob clockwise to tighten the string. To release the tension, pull and turn the knob counter-clockwise.



For a local Elite Screens contact or Technical Support, please visit www.elitescreens.com