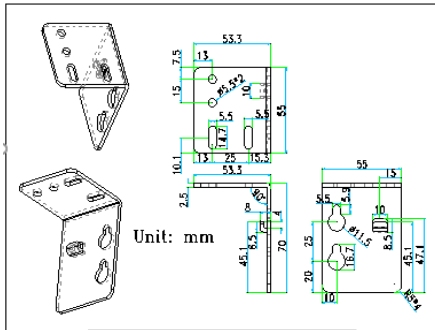
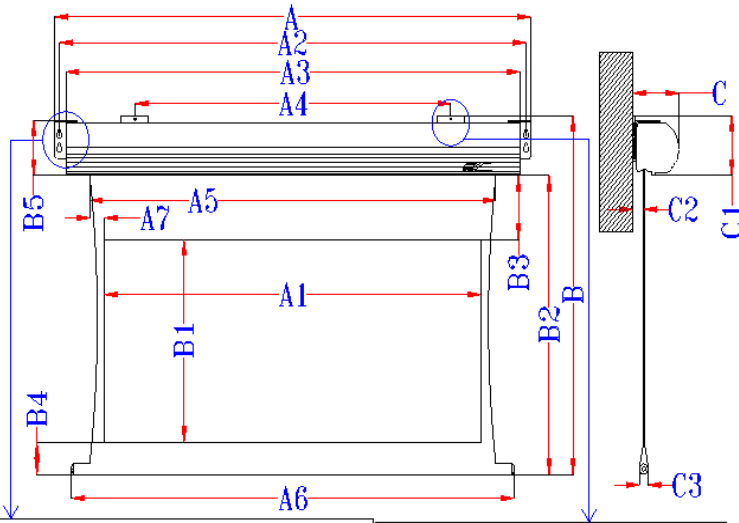


### Power Max Sonic 2 Series Dimensions Table

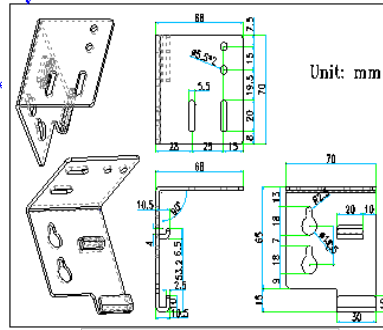
Model Number	Nominal Diagonal	Aspect Ratio	Screen Material	Overall Length with Bracket (A)	Viewable Width (A1)	Bracket Screw Hole Distance (A2)	Overall Length w/ out Bracket (A3)	Wall Bracket Hole Distance (A4)	Screen Width (A5)	Weight Bar Length (A6)	L/R Border (A7)	Overall Height w/ Wall Bracket (B)	Viewable Height (B1)	Screen Height (B2)	Top Border (B3)	Bottom Border (B4)	End cap Height w/ Bracket (B5)	End Cap Width w/ Bracket (C)	End Cap Height w/ Wall Bracket (C1)	C2	C3
Unit: Inches																					
PSC100HT2-E24	100"	16:9	SonicWhite	105.7	87.2	105.0	103.9	72.4	95.0	101.4	3.9	79.6	49.0	75.4	24.0	2.4	3.9	4.0	4.3	1.4	0.9
PSC110HT2-E24	110"	16:9	SonicWhite	116.2	95.9	115.4	114.4	82.9	105.3	111.8	4.7	84.6	53.9	80.3	24.0	2.4	3.9	4.0	4.3	1.4	0.9
PSC120HT2-E20	120"	16:9	SonicWhite	124.8	104.6	124.1	123.0	91.5	114.1	120.5	4.7	85.4	58.8	81.2	20.0	2.4	3.9	4.0	4.3	1.4	0.9
PSC135HT2-E12	135"	16:9	SonicWhite	140.0	117.7	138.6	137.3	105.8	127.1	134.9	4.7	85.5	66.2	80.6	12.0	2.4	4.6	4.6	4.9	1.4	0.9
PSC150HT2-E12	150"	16:9	SonicWhite	153.1	130.7	151.7	150.4	118.9	140.2	148.0	4.7	92.8	73.5	87.9	12.0	2.4	4.6	4.6	4.9	1.4	0.9
PSC180HT2-E3	180"	16:9	SonicWhite	179.3	156.9	177.8	176.5	145.0	167.1	174.1	5.1	98.5	88.3	93.6	3.0	2.4	4.6	4.6	4.9	1.4	0.9
Unit: mm																					
PSC100HT2-E24	100"	16:9	SonicWhite	2686	2214	2666	2640	1840	2414	2575	100	2022	1245	1915	610	60	100	102	108	35	23
PSC110HT2-E24	110"	16:9	SonicWhite	2951	2435	2931	2905	2105	2675	2840	120	2149	1370	2040	610	60	100	102	108	35	23
PSC120HT2-E20	120"	16:9	SonicWhite	3171	2657	3151	3125	2325	2897	3060	120	2170	1494	2062	508	60	100	102	108	35	23
PSC135HT2-E12	135"	16:9	SonicWhite	3557	2989	3521	3487	2687	3229	3427	120	2171	1681	2046	305	60	118	118	125	35	23
PSC150HT2-E12	150"	16:9	SonicWhite	3889	3321	3853	3819	3019	3561	3759	120	2358	1868	2233	305	60	118	118	125	35	23
PSC180HT2-E3	180"	16:9	SonicWhite	4553	3985	4517	4483	3683	4245	4423	130	2503	2242	2378	76	60	118	118	125	35	23

Note: Data error ± 1"

The listed measurements are for general reference only. Please contact Elite Screens to verify product design and dimensions before attempting to integrate its products with any structural or furniture modification. Although a manufacturer may offer product advice, it may be taken or disregarded at the integrators discretion. Elite Screens will not be held responsible or be otherwise liable for faulty installations.



End cap Bracket for models 100"/110"/120"



End cap Bracket for models 135"/150"/180"

